

## SEAT

Designer: SPARK - Andrew Rogers



### SLAT OPTIONS

- Oiled hardwood

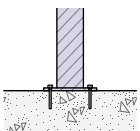
### FRAME OPTIONS

- Hot dip galvanised mild steel

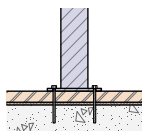
### FRAME FINISHES

- Powdercoated

### INSTALLATION



Bolt Down



Bolt Through

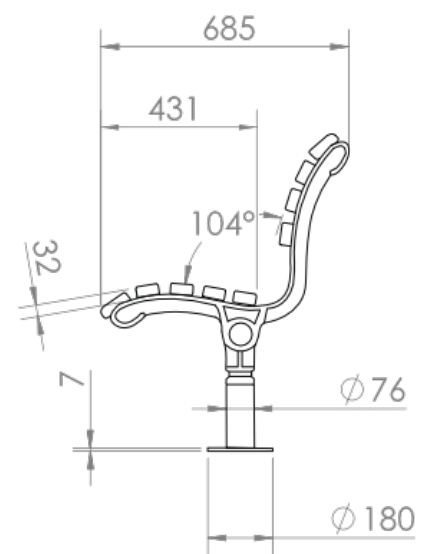
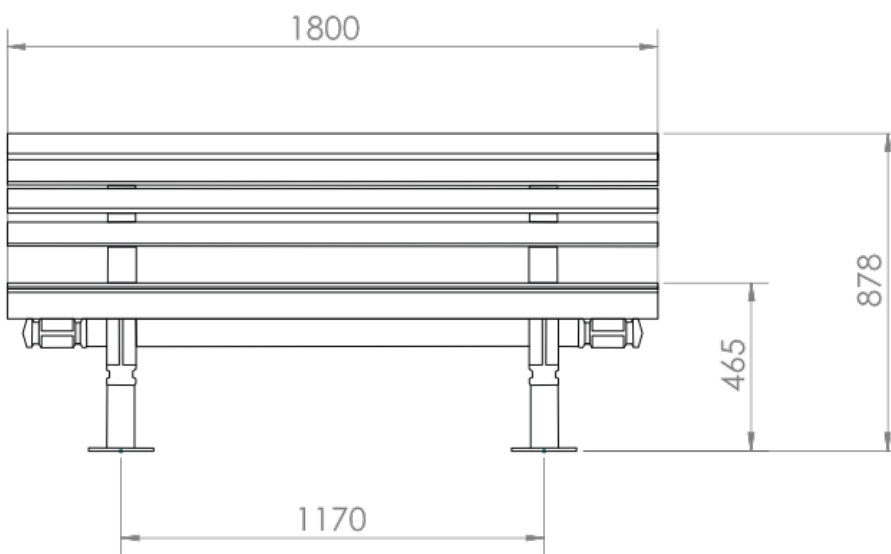
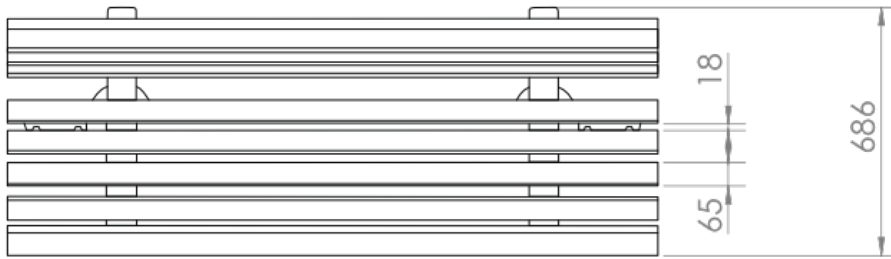
### FIXINGS

- 12mm fixings for 14mm
- Diameter holes

Alternative materials and finishes available on request

# ESPLANADE SEAT

## SPECIFICATIONS



Measurements are in millimetres. Drawings are not to scale.

PRODUCT CODE	FRAME FINISH	SLAT OPTION & SIZE (mm)
ESP003-ALU-PC-T	Powdercoated	65x32 & 90 x 32 Oiled hardwood timber